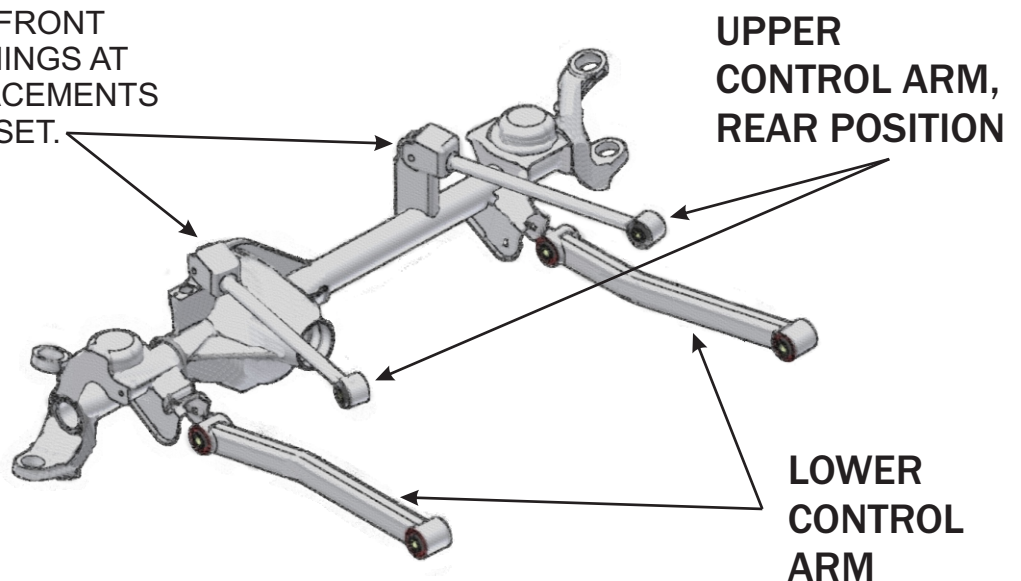


This instruction is intended as a guideline for the safe installation of Energy Suspension polyurethane bushings after original equipment has been removed from the vehicle. It is recommended that you utilize a qualified service center for the replacement of these components if you are unfamiliar with vehicle chassis and suspension repair work. Reference vehicle manufacturer's service manual for component removal and replacement procedures, and torque specifications. Before beginning work, read these instructions thoroughly and verify that parts received match P/N's and quantities in parts list. In the case of discrepancy, contact Energy Suspension Customer Service (949-361-3935). Because wheel alignment is altered when suspension components are removed and replaced, it is highly recommended that your vehicle be checked and adjusted by a qualified alignment shop prior to use. Energy Suspension parts are designed to work with vehicles in good state of repair. We cannot be held responsible for suspension or steering related problems occurring due to poor vehicle maintenance.

PARTS LIST FOR FRONT SUSPENSION

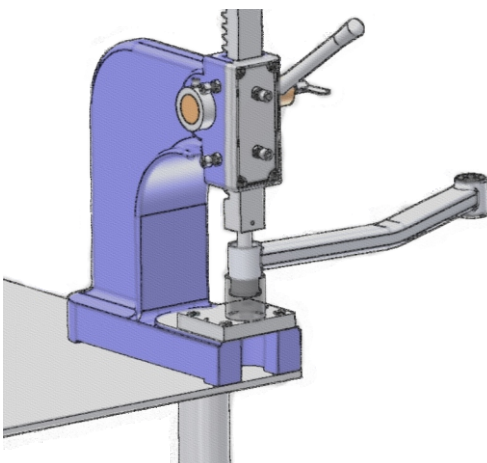
QTY	P/N	DESCRIPTION
2	03P03611	INNER POLYURETHANE BUSHING, FRONT UPPER ARM, REAR POS.
2	03P03612	OUTER POLYURETHANE BUSHING, FRONT UPPER ARM, REAR POS.
2	15P1072139	SLEEVE, 1.00" X .500" X 2.03" FRONT UPPER ARM, REAR POS.
4	03P03613	INNER POLYURETHANE BUSHING, FRONT LOWER ARM.
4	03P03614	OUTER POLYURETHANE BUSHING, FRONT LOWER ARM.
4	15.10.661.39	SLEEVE, 1.125" X .640" X 2.625" FRONT LOWER ARM.

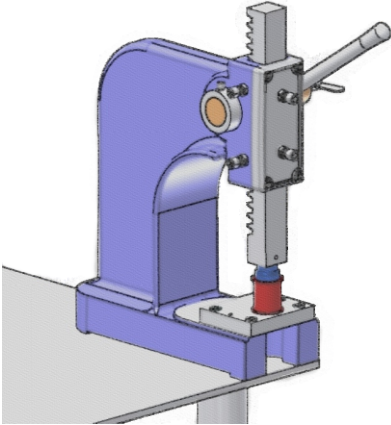
DO NOT REMOVE ORIGINAL FRONT UPPER CONTROL ARM BUSHINGS AT FORWARD POSITION. REPLACEMENTS ARE NOT SUPPLIED IN THIS SET.



1. Prepare for Installation

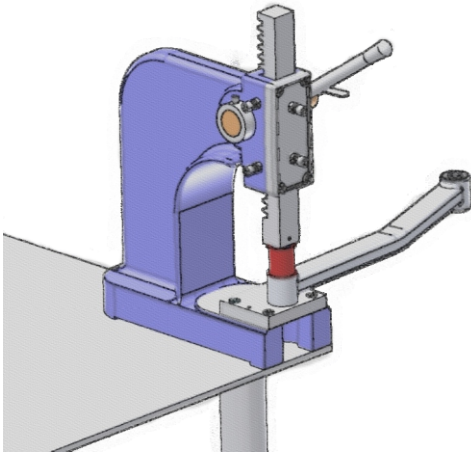
Remove one control arm from vehicle and press out rubber bushings with arbor press. Bushings are not bonded to control arm. If arbor press is not available, make an extraction tool using threaded rod, hex nuts, flat washers, and appropriately sized metal tubing.





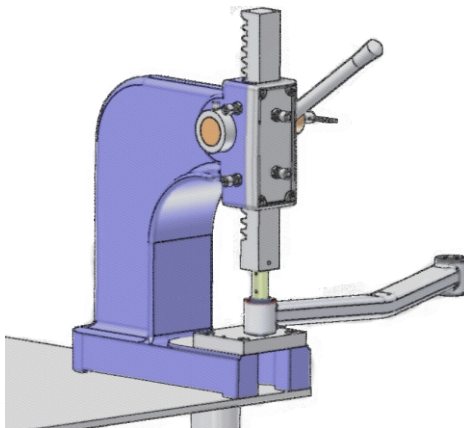
2. Pre-Assemble Bushing

Press inner polyurethane bushing into outer polyurethane bushing. DO NOT USE GREASE.



3. Install Bushing Pair into Control Arm.

Use your hand or guide cone to squeeze bushing flange into control arm eyelet while pressing down with press. Once installed, ensure that bushing is centered in arm and that bushing flanges are evenly exposed. DO NOT USE GREASE.



4. Install Sleeve.

Grease I.D. of inner polyurethane bushing and O.D. of sleeve. Press sleeve into bushing until centered. Remove any remaining grease on ends or inside sleeve.

5. Install Control Arm in Vehicle

Position rear end of arm into vehicle frame; then front end of arm into axle. Insert bolts and install locknuts. Torque fasteners to factory specification.

Repeat process with remaining control arms.

PARTS LIST FOR REAR SUSPENSION

<u>QTY</u>	<u>P/N</u>	<u>DESCRIPTION</u>
4	03P03615	INNER POLYURETHANE BUSHING, REAR UPPER ARM.
4	03P03616	OUTER POLYURETHANE BUSHING, REAR UPPER ARM.
4	15P1072339	SLEEVE, 1.125" X .50" X 2.33" REAR UPPER ARM.
4	03P03617	INNER POLYURETHANE BUSHING, REAR LOWER ARM.
4	03P03618	OUTER POLYURETHANE BUSHING, REAR LOWER ARM.
4	15P1072439	SLEEVE, 1.125" X .563" X 2.62" REAR LOWER ARM.

